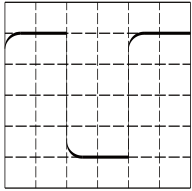
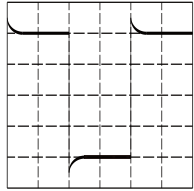


## Frequency Compensation

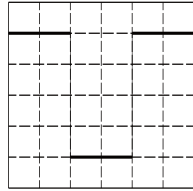
Before taking any measurements using a probe, first check the compensation of the probe and adjust it to match the channel inputs. Most oscilloscopes have a square wave reference signal available at a terminal on the front panel used to compensate the probe. Connect the probe to the signal source on your oscilloscope. Set the probe to 10X position. Adjust trimmer until seeing flat-top square wave on the display.



**Incorrect**

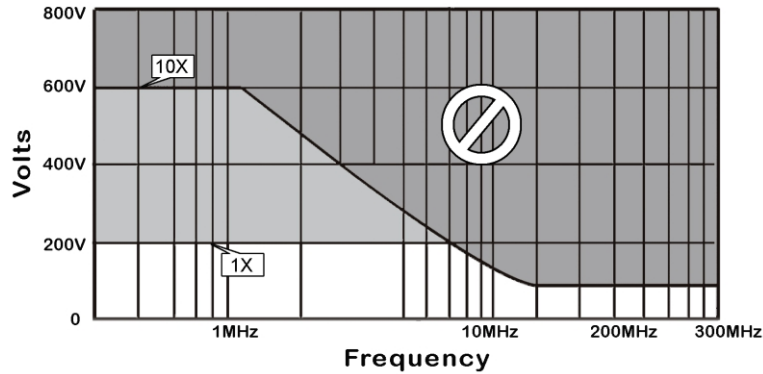


**Incorrect**



**Correct**

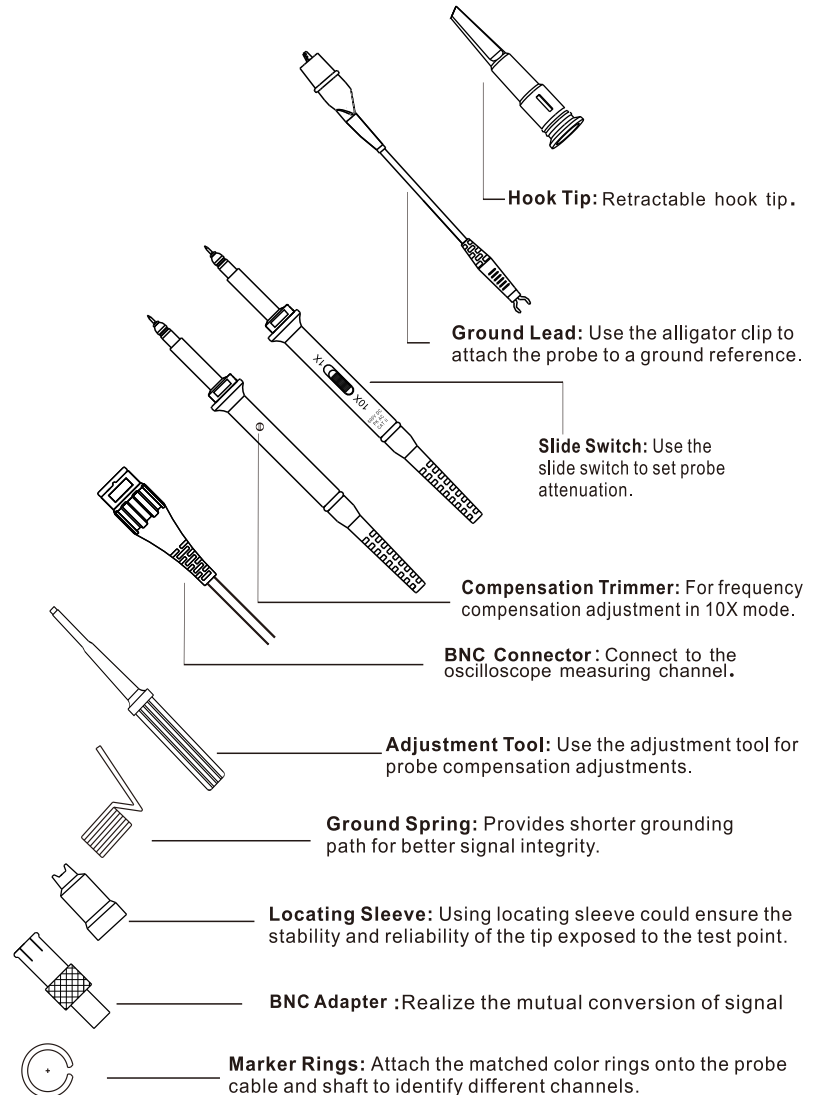
## Voltage vs Frequency Rating Curve



- ⚠ Review this user manual carefully to avoid injury and prevent damage to this product or any products connected to it. To avoid potential hazards, use this product only as specified.
- ⚠ The measurement category of a combination of a PROBE ASSEMBLY and an accessory is the lower of the measurement categories of the PROBE ASSEMBLY and of the accessory.
- ⚠ If the PROBE ASSEMBLY is used in a manner not specified by the manufacturer, the protection provided by the PROBE ASSEMBLY may be impaired.

## Accessories and Features

Probe is provided with several accessories designed to make probing and measurement simpler. Please take a moment to familiarize yourself with these accessories and their uses.



Probe Characteristics				
Model	PP80B	PP150B	PP200B	PP300B
Bandwidth	80MHz	150MHz	200MHz	300MHz
Rise time	4.3ns	2.3ns	1.75ns	1.15ns
Attenuation Ratio	1X&10X			
Input Resistance	1M $\Omega$ /10M $\Omega$ ±2%			
Input Capacitance	1X:85pF-120pF/10X:18.5pF-22.5pF			
Maximum Input	1X:200V&10X:600V Working Voltage(V <sub>p-p</sub> )			
Compensation Range	10pF~35pF		8pF~30pF	
Operation Environment	0~50°C , 0~80%RH			
Storage Environment	-20~60°C , 0~90%RH			
Size	130±2cm			
Weight	About 52.5g			

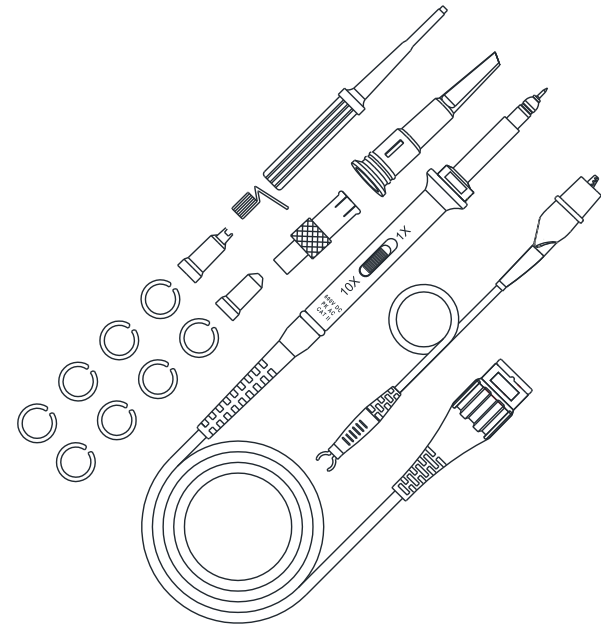
Accessory Kit		
Item	Description	Quantity
1	Retractable Hook Tip	1
2	Adjustment Tool	1
3	Locating Sleeve	2
4	Marker Rings	8
5	Ground Lead	1
6	Ground Spring (Above 100MHz)	1
7	BNC Adapter (Above 200MHz)	1

Note:  
content of this document are subject to change without notice.

## User's Guide

# Hantek®

- PP80B 80MHz
- PP150B 150MHz
- PP200B 200MHz
- PP300B 300MHz



**1X&10X Oscilloscope Probe**

